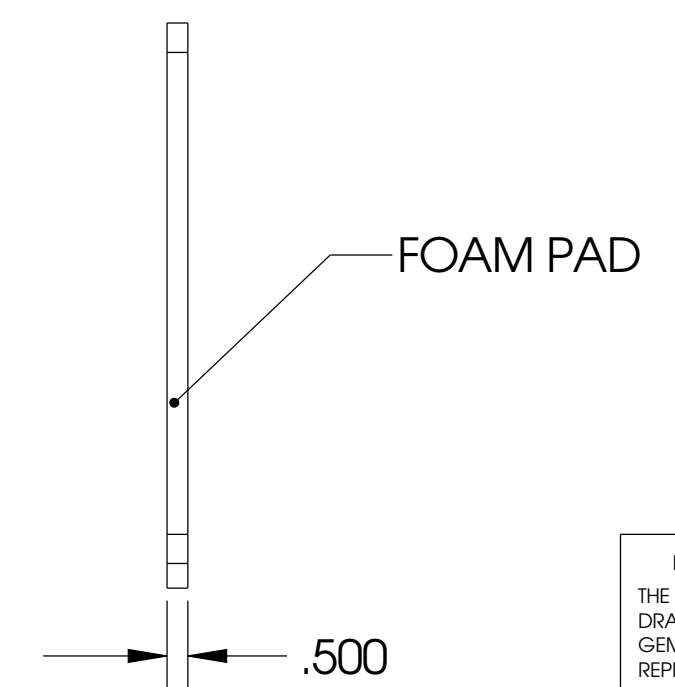
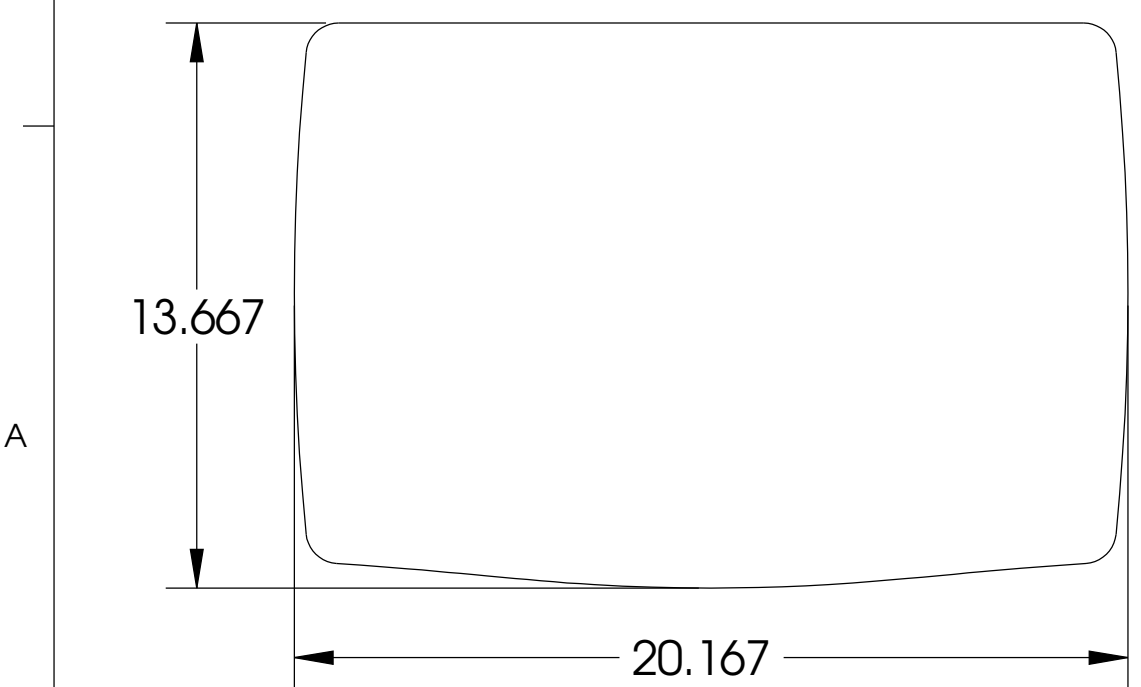
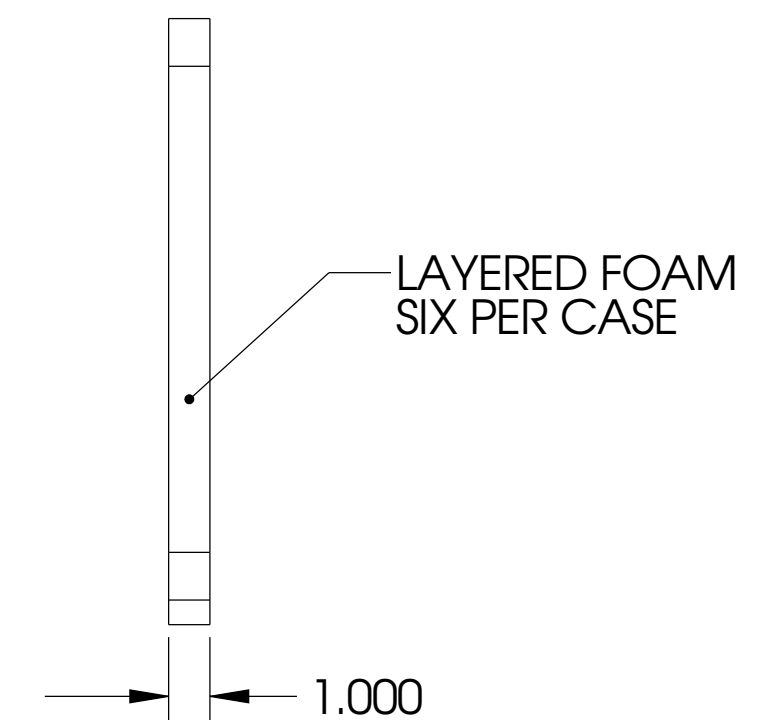
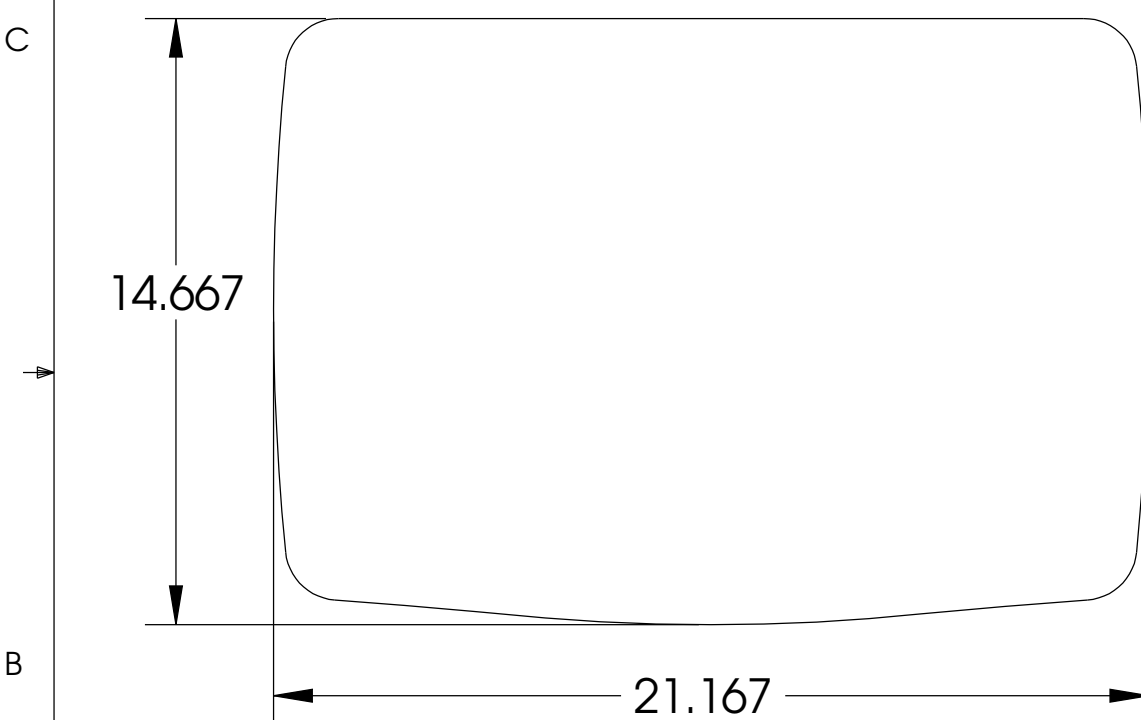
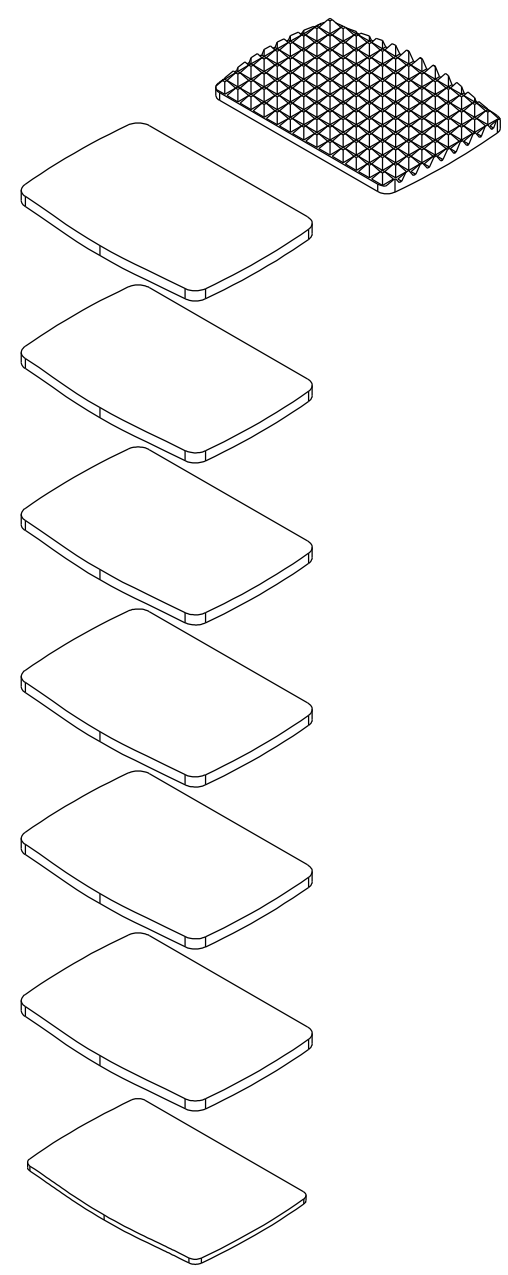
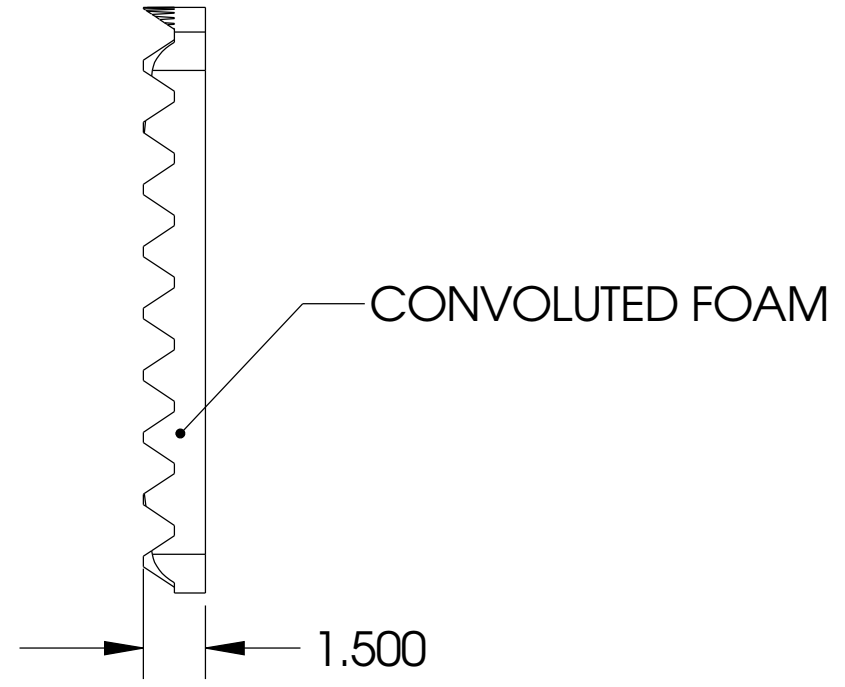
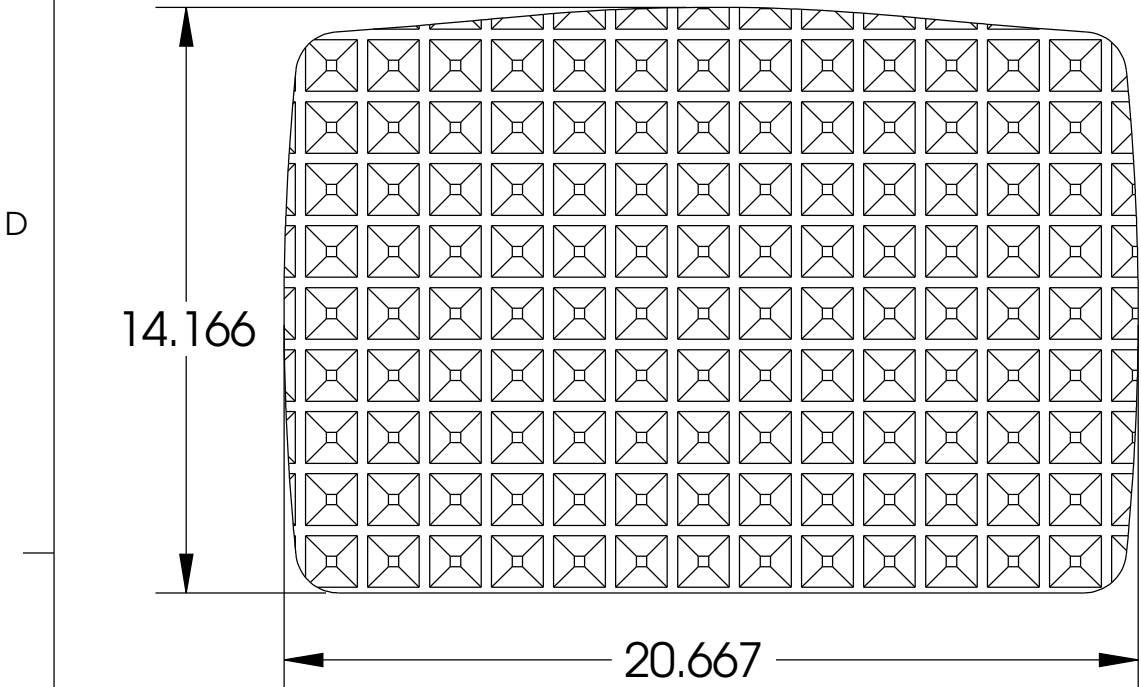


8 7 6 5 4 3 2 1

REVISIONS			
REV.	DESCRIPTION	DATE	APPROVED



- NOTES:
- 1: MATERIAL 2.0 LB DENSITY POLYURETHANE FOAM
  - 2: COLOR - CHARCOAL
  - 3: ALL BOTTOM FOAM PIECES LOOSE IN CASE
  - 4: LID FOAM GLUED IN PLACE

**PROPRIETARY AND CONFIDENTIAL**  
 THE INFORMATION CONTAINED IN THIS DRAWING IS THE SOLE PROPERTY OF GEMSTAR MANUFACTURING. ANY REPRODUCTION IN PART OR AS A WHOLE WITHOUT THE WRITTEN PERMISSION OF GEMSTAR MANUFACTURING IS PROHIBITED.

UNLESS OTHERWISE SPECIFIED:	NAME	DATE
DIMENSIONS ARE IN INCHES	DRAWN	BMR 03/03/11
TOLERANCES:	CHECKED	
FRACTIONAL ±	ENG APPR.	
ANGULAR: MACH ± BEND ±	MFG APPR.	
TWO PLACE DECIMAL ±	Q.A.	
THREE PLACE DECIMAL ±	COMMENTS:	
INTERPRET GEOMETRIC TOLERANCING PER:	GEMSTAR 1420-8	
MATERIAL		
FINISH		
DO NOT SCALE DRAWING		

GEMSTAR PART #11030507		
TITLE: <b>GEMSTAR FOAM LAYOUT</b>		
SIZE <b>B</b>	DWG. NO. <b>0321698</b>	REV
SCALE: 1:6	WEIGHT:	SHEET 1 OF 1

8 7 6 5 4 3 2 1