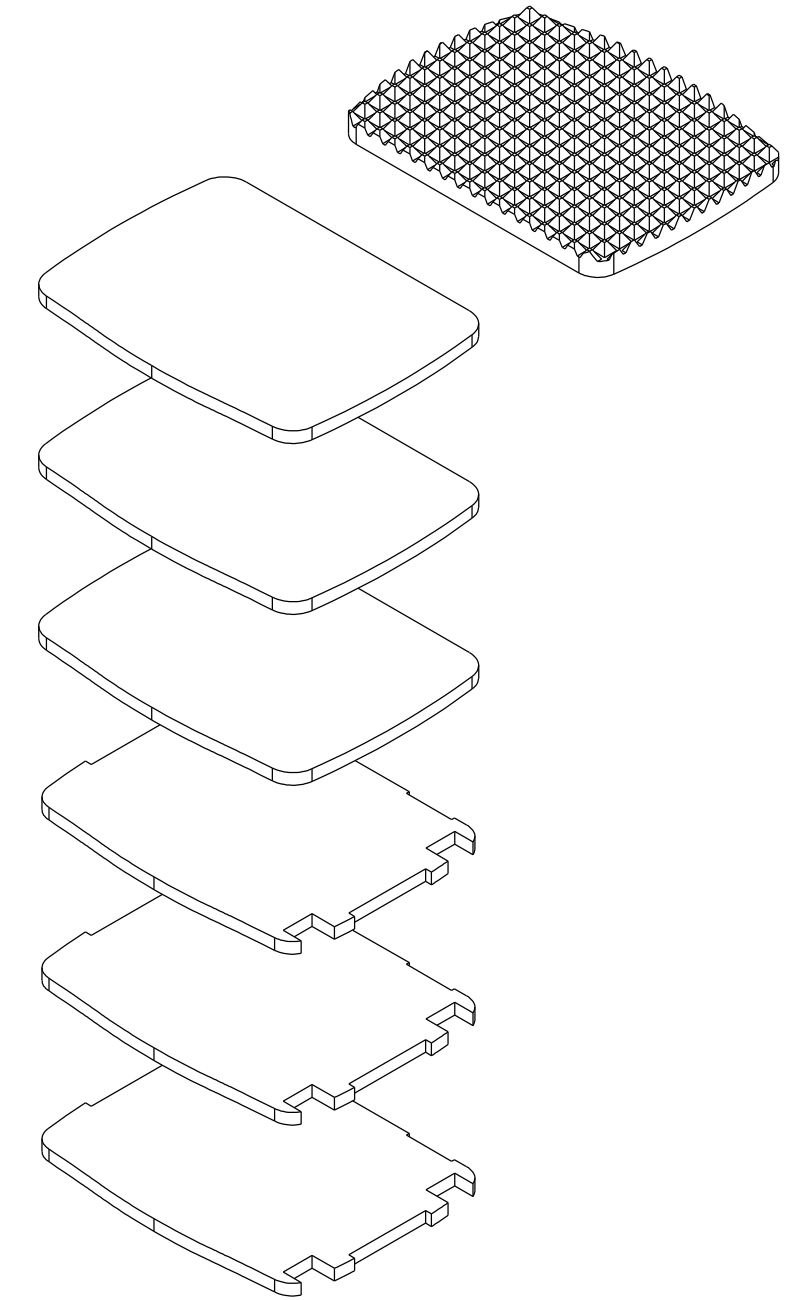


PROPRIETARY AND CONFIDENTIAL
THE INFORMATION CONTAINED IN THIS DRAWING IS THE SOLE PROPERTY OF GEMSTAR MANUFACTURING. ANY REPRODUCTION IN PART OR AS A WHOLE WITHOUT THE WRITTEN PERMISSION OF GEMSTAR MANUFACTURING IS PROHIBITED.

REVISIONS			
REV.	DESCRIPTION	DATE	APPROVED



NOTES:

- 1: MATERIAL 2.0 LB DENSITY POLYURETHANE FOAM
- 2: COLOR - CHARCOAL
- 3: ALL PIECES LOOSE IN BOTTOM OF CASE
- 4: LID FOAM GLUED IN CASE

UNLESS OTHERWISE SPECIFIED:	NAME	DATE	GEMSTAR PART #08050516	
DIMENSIONS ARE IN INCHES	DRAWN	BMR	05/22/08	TITLE: GEMSTAR FOAM LAYOUT
TOLERANCES:	CHECKED			
FRACTIONAL ±	ENG APPR.			
ANGULAR: MACH ± BEND ±	MFG APPR.			
TWO PLACE DECIMAL ±	Q.A.			SIZE DWG. NO. REV
THREE PLACE DECIMAL ±	COMMENTS:	GEMSTAR 1824-8		B 0321236
INTERPRET GEOMETRIC TOLERANCING PER:			SCALE: 1:24	WEIGHT:
MATERIAL			SHEET 1 OF 1	
FINISH				
DO NOT SCALE DRAWING				