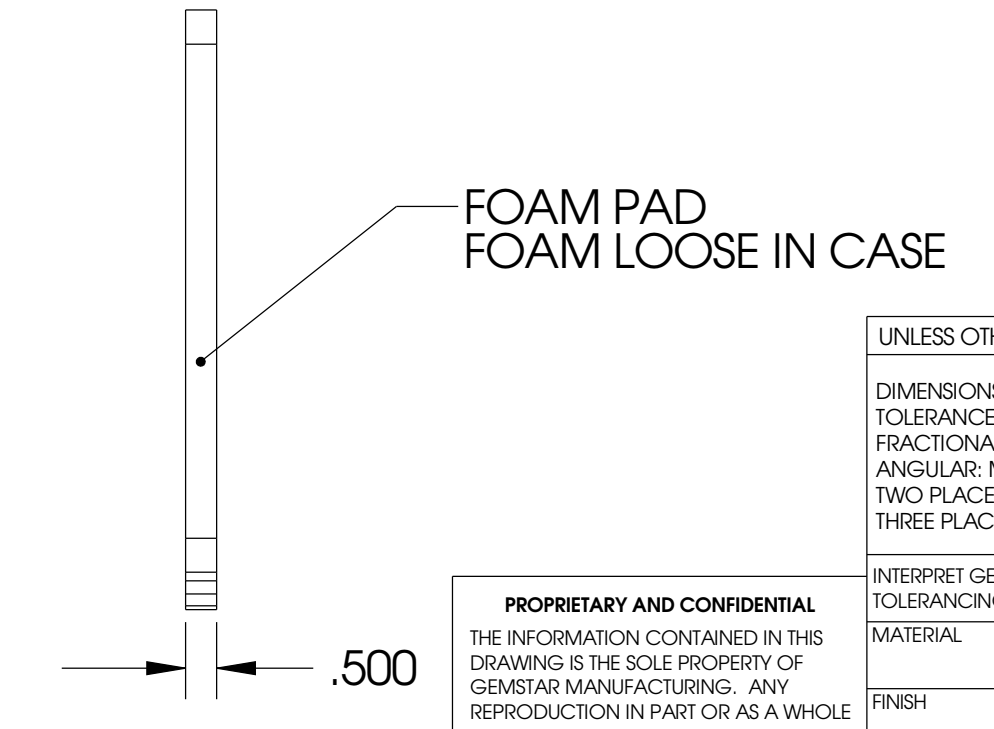
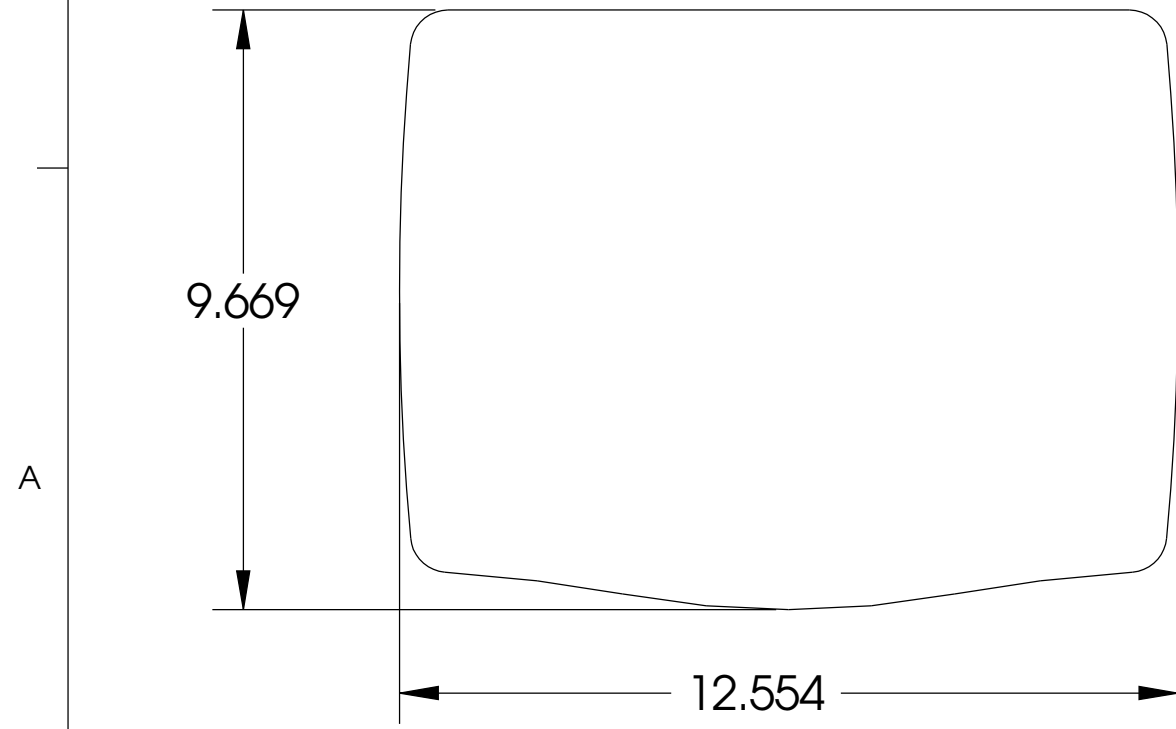
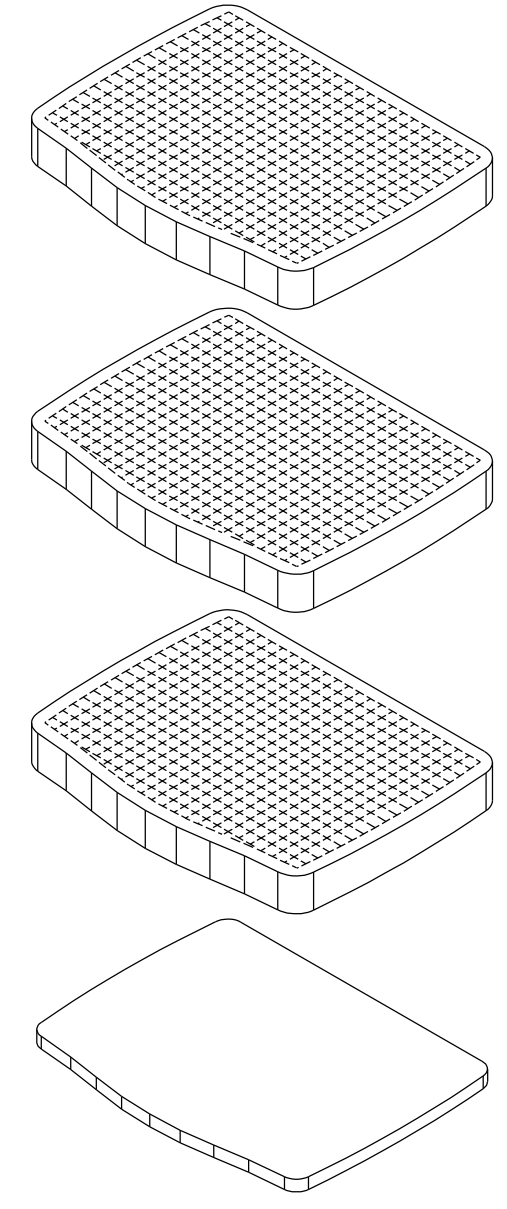
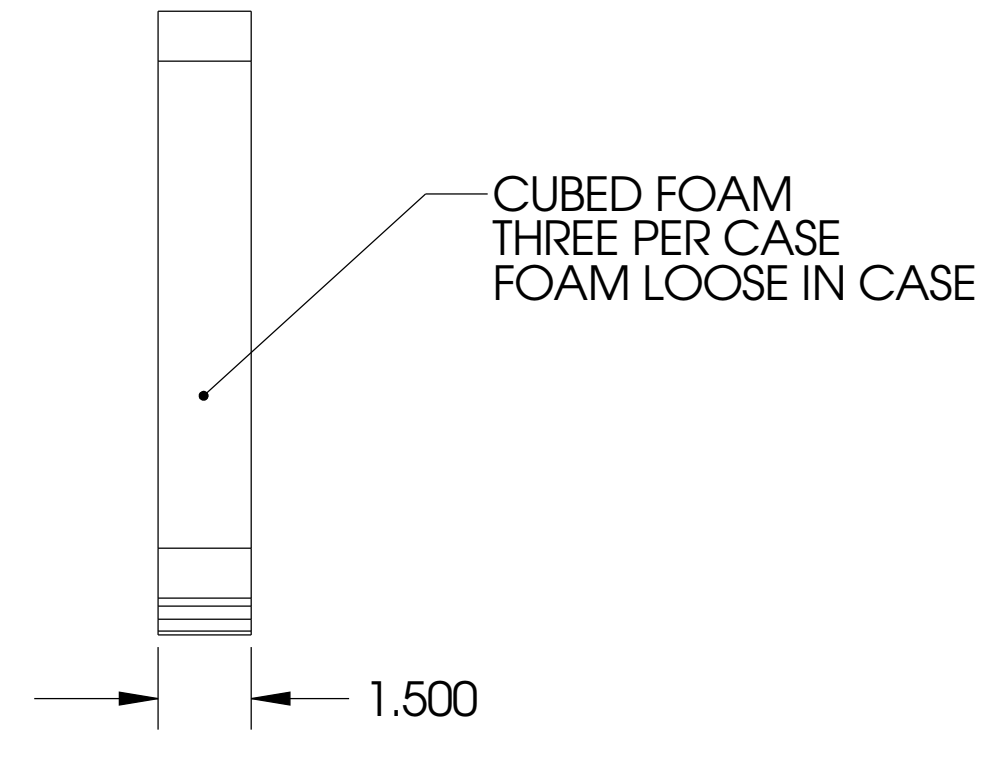
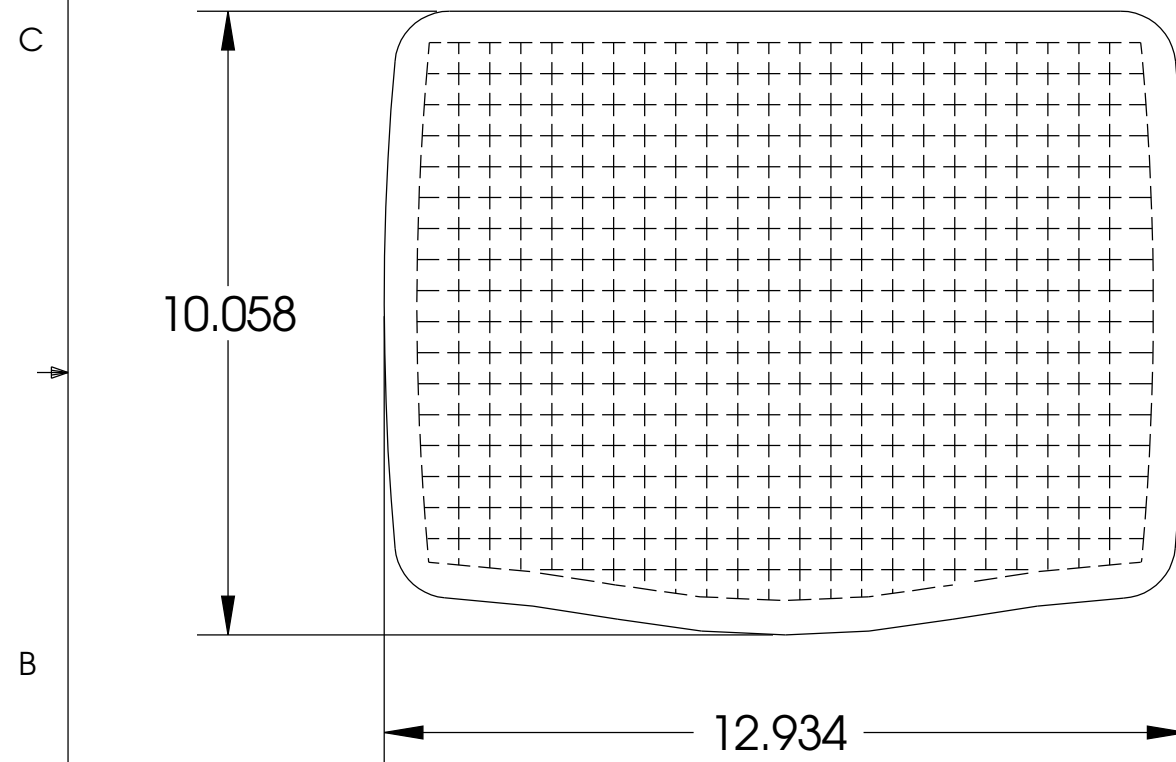
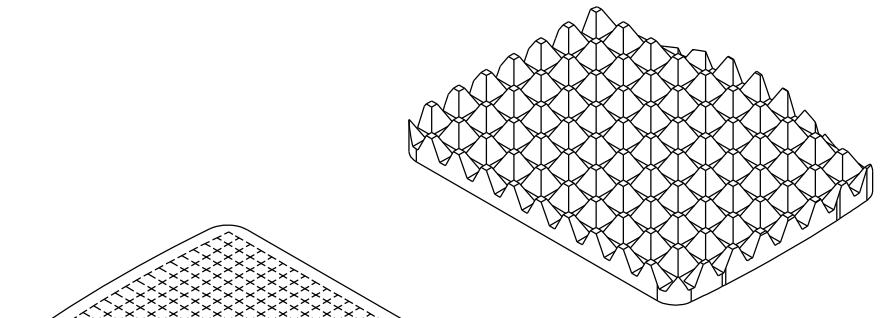
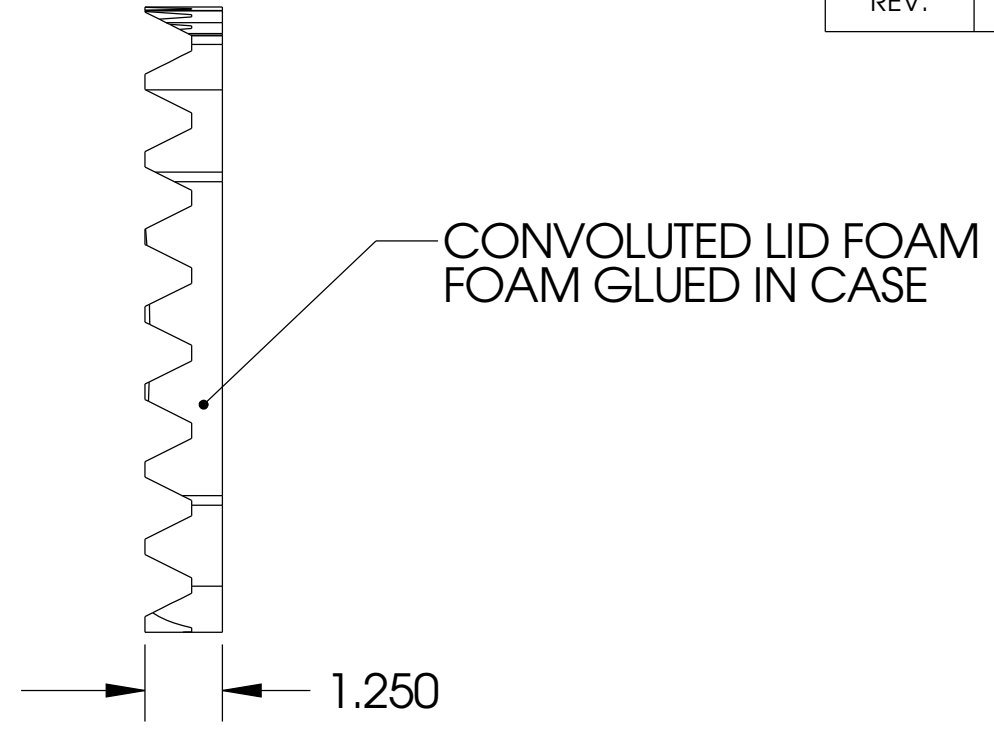
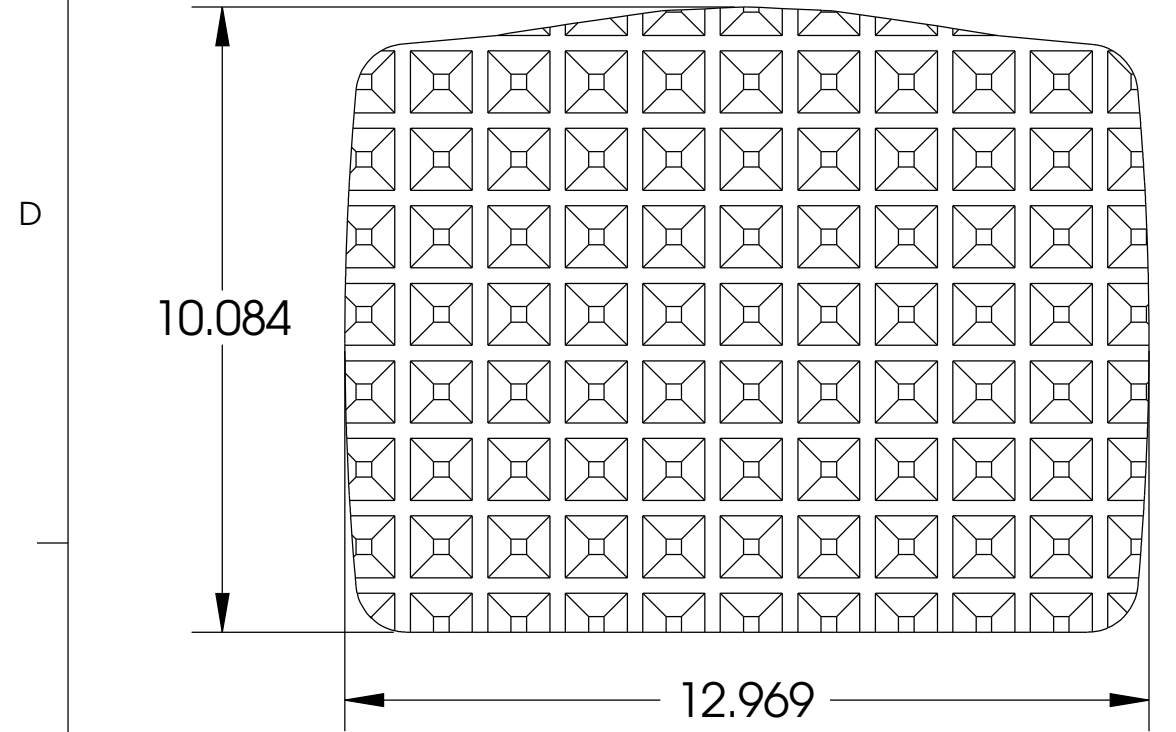


8 7 6 5 4 3 2 1

REVISIONS			
REV.	DESCRIPTION	DATE	APPROVED



NOTES:

- 1: MATERIAL 2.0 LB DENSITY POLYURETHANE FOAM
- 2: COLOR - CHARCOAL
- 3: ALL BOTTOM FOAM PIECES LOOSE IN CASE
- 4: LID FOAM GLUED IN PLACE

UNLESS OTHERWISE SPECIFIED:	NAME	DATE
DIMENSIONS ARE IN INCHES	DRAWN	BMR 01/07/10
TOLERANCES:	CHECKED	
FRACTIONAL ±	ENG APPR.	
ANGULAR: MACH ± BEND ±	MFG APPR.	
TWO PLACE DECIMAL ±	Q.A.	
THREE PLACE DECIMAL ±	COMMENTS:	
INTERPRET GEOMETRIC TOLERANCING PER:	GEMSTAR 912-6	
MATERIAL		
FINISH		
DO NOT SCALE DRAWING		

GEMSTAR PART #01040522		
TITLE: GEMSTAR FOAM LAYOUT		
SIZE	DWG. NO.	REV
B	0302814	
SCALE: 1:12	WEIGHT:	SHEET 1 OF 1

PROPRIETARY AND CONFIDENTIAL
 THE INFORMATION CONTAINED IN THIS DRAWING IS THE SOLE PROPERTY OF GEMSTAR MANUFACTURING. ANY REPRODUCTION IN PART OR AS A WHOLE WITHOUT THE WRITTEN PERMISSION OF GEMSTAR MANUFACTURING IS PROHIBITED.

8 7 6 5 4 3 2 1